

## DT 287

## DT 297

### Headsets with Condenser Microphone



### APPLICATIONS

The lightweight, closed DT 297 headset has been developed for professional broadcasting use.

The headphone features an efficient neodymium magnet system, giving very precise reproduction and excellent intelligibility. Another special feature is the wide frequency response of 10 - 30,000 Hz. The headsets are available with 80  $\Omega$  or 250  $\Omega$ -systems.

This headset is equipped with a condenser capsule with an extended bass response. The microphone can be optimally positioned with the flexible gooseneck. The optimum distance to the mouth is around 5 to 10 cm. The frequency response for this distance corresponds to recommendations of the IRT (Institute for Radiotechnology in Munich). The soft circumaural ear pads and the fully adjustable padded headband offer a outstanding comfort. The cardioid polar pattern ensures high-gain-before feedback and noise cancellation. The wide frequency response ensures clear and precise speech reproduction and intelligibility.

All parts such as earpads, headband and gooseneck microphone are easy to replace.

### VERSIONS

DT 287 PV	Single-sided version, 80 $\Omega$ , cardioid condenser microphone	Order # 479.349
DT 287 V.11	Single-sided version, 80 $\Omega$ , cardioid condenser microphone, with integrated microphone pre-amp	Order # 479.357
DT 297 PV	Headset, 80 $\Omega$ , cardioid condenser microphone, with integrated power supply for phantom powering	Order # 479.365
DT 297 PV	same as above, but 250 $\Omega$	Order # 479.454
DT 297 V.11	Headset, 80 $\Omega$ , cardioid condenser microphone, with integrated microphone pre-amp	Order # 479.462

### SUPPLIED – ACCESSORY

WS 97 AZ	Wind / pop screen, charcoal-grey	Order # 465.313
----------	----------------------------------	-----------------

### OPTIONAL ACCESSORIES

K 190.00	Bare-ended straight cable, 1.5 m long	Order # 431.575
K 190.00	Bare-ended straight cable, 3 m long	Order # 441.937
K 190.28	Straight cable with 4-pin XLR-socket, 1.5 m long	Order # 445.304
K 190.39	Straight cable for V.11 version of the DT 290 series, with 5-pin XLR-plug to connect to professional cameras (Sony, Philips, Ikegami), 1.5 m long	Order # 475.181
K 190.40	Straight cable with 3-pin XLR-plug and 1/4" jack (6.35 mm), 1.5 m long	Order # 445.894
K 190.40	same as above, but 3 m long	Order # 446.750
K 190.41	Straight cable with 5-pin XLR-plug, 1.5 m long	Order # 445.312
WK 190.00	Bare-ended coiled cable	Order # 448.176

### SPARE PARTS

EDT 250 V	Ear pads, velours, circumaural	Order # 442.704
EDT 250 S	Ear pads, soft PVC, circumaural	Order # 443.549

#### Germany

Theresienstr. 8  
D-74072 Heilbronn  
Tel. +49 (0)71 31 / 6 17-0  
Fax +49 (0)71 31 / 617-224  
E-mail: info@beyerdynamic.de  
Internet: www.beyerdynamic.de

#### United States

56 Central Ave.  
Farmingdale, NY 11735  
Tel. +1 (631) 293-3200  
Fax +1 (631) 293-3288  
E-mail: salesUSA@beyerdynami.com  
Internet: www.beyerdynamic.com

#### Great Britain

17 Albert Drive  
Burgess Hill RH15 9TN  
Tel. +44 (0)1444 / 258 258  
Fax +44 (0)1444 / 258 444  
E-mail: sales@beyerdynamic.co.uk  
Internet: www.beyerdynamic.co.uk

# TECHNICAL SPECIFICATIONS

## Headphone

Transducer principle	Dynamic
Operating principle	Closed
Transmission range	10 - 30,000 Hz
Nominal impedance	80 Ω or 250 Ω
Nominal sound pressure level at 1 kHz	100 dB
T.H.D.	< 0.2%
Ambient noise insulation	approx. 16 dBA
Average pressure on ears	4.5 N
Weight without cable	240 g

## Microphone

	<b>DT 297 PV</b>
Transducer principle	Condenser (back electret)
Transmission range	40 - 20,000 Hz
Polar pattern	Cardioid
Output voltage	
at a distance of 5 cm	5.5 mV
Nominal impedance	approx. 300 Ω
Nominal output impedance	> 1000 Ω
Open circuit voltage	5 mV/Pa at f = 1 kHz
Max. SPL	132 dB
S/N ratio	62 dB
Current consumption	approx. 3.5 mA
Phantom supply	12 - 48 V
Dimensions	Gooseneck length: Capsule diameter:
Weight	30 g

## DT 297 V.11

Transducer principle	Condenser (back electret)
Transmission range	40 - 20,000 Hz
Polar pattern	Cardioid
Output voltage	
at a distance of 5 cm	52 mV - 1.3 V, adjustable
Nominal impedance	approx. 300 Ω
Nominal output impedance	-
Open circuit voltage	-
Max. SPL	-
S/N ratio	-
Current consumption	6 - 56 mA
Phantom supply	-
Dimensions	120 mm 19 mm

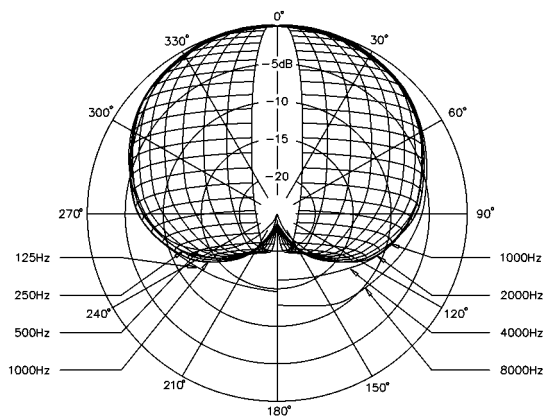
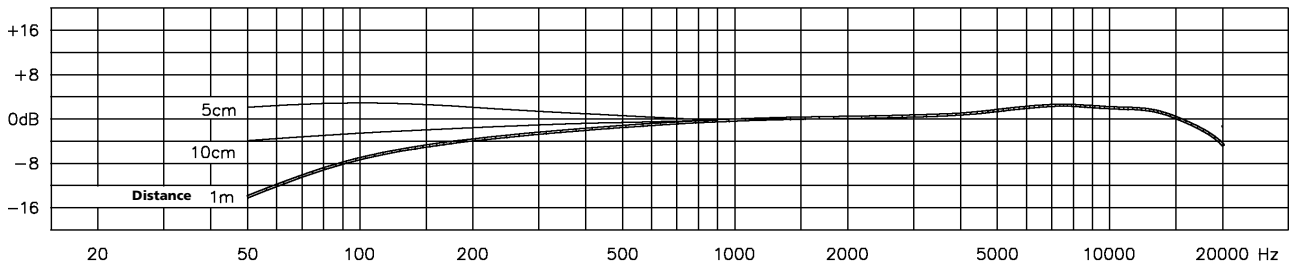
# FREQUENCY RESPONSE & POLAR PATTERN

This polar pattern and frequency response curve (measuring tolerance  $\pm 2.5$  dB) correspond to typical machine run specifications for this microphone.

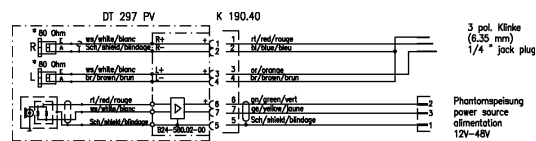
Frequency response curve  $\pm 2.5$  dB

0 dB = 5 mV/Pa

DT 297 PV



## WIRING DIAGRAMS



- \* Sonderausführung 250 Ohm System lieferbar
- \* Special model 250 ohm system available

