

JVC[®]

The Perfect Experience / —

19" PROFESSIONAL LCD DISPLAY MONITOR

GD-19L1G

Stylish and Versatile LCD Display Monitor
Ideal for Diverse Applications



- Simple and stylish with space-saving design
- PC and video inputs for flexible integration into systems
- Built-in AC adaptor with detachable cord for simplified installation
- Excellent visibility with wide viewing angles: 178° H and 178° V
- High contrast ratio: 1000:1
- IR remote control
- Slim, low-profile bezel gives excellent visibility, especially where multiple units are side by side
- Built-in, front mounted stereo speakers (2W + 2W)
- Control lock defeats front panel controls
- BNC video input adaptor included
- Designed to be mounted flush against the wall using the VESA 100 mm pitch holes in rear panel
- Tilting desktop stand supplied as standard
- VESA 100 mm pitch holes in base of stand

Elegant yet practical design with wide viewing angles make the GD-19L1G into a remarkably versatile monitor, indispensable in today's demanding environments.

Whether being used stand-alone or rack-mounted, this versatile professional LCD monitor can be counted on to exceed expectation. It is packed with beneficial features. Its slim rectangular design combined with VESA mounting holes provide a vast number of possibilities for mounting and installing. Whether to be used as an individual commercial information monitor or to equip a multi-screen surveillance control room, JVC's new GD-19L1G is the clear choice for top performance.

■ PC and Video Inputs

The GD-19L1G is equipped with three separate types of video input: Component (Y/R-Y/B-Y), S-video (Y/C) and composite video. Graphics from a PC can be displayed up to SXGA resolution (1280 x 1024) and are input via a D-sub 15 pin terminal.

■ Built-in AC Adaptor with Detachable Cord

The AC power supply (120-240V, 50/60Hz) is built-in to the monitor and has a detachable power cord, thus making the power installation neat and simple.

■ Excellent Visibility

The TFT-LCD monitor provides crisp bright pictures for easy viewing. A wide horizontal viewing angle of 178° and a vertical viewing angle of 178°, plus a high contrast ratio of 1000:1, enable the monitor to be located in raised positions for viewing by larger audiences. In such elevated installations monitor control is easily achieved with the IR remote control, supplied as standard with the monitor.

■ Simple and Stylish Design

The stylishly designed GD-19L1G has smooth, flush surfaces that are attractive and which also simplify installation. What's more, the slim 34mm bezel provides a clear view of displayed images, which is especially beneficial when multiple monitors are installed. The control buttons on the front panel do not protrude and so help prevent unintentional operation. Because the cooling vents are located at the top and sides of the rear panel of the GD-19L1G, it can be installed flush against the wall.

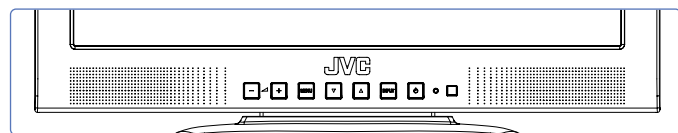
■ Control lock on/off function

The control buttons on the front panel can also be locked to prevent unintentional operation.

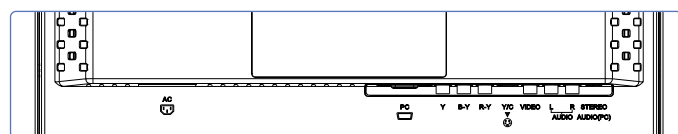
■ BNC Video Connector

The display monitor is equipped with a BNC – RCA adaptor to enable connection to a BNC cable.

● Front Panel



● Rear Panel



Specifications

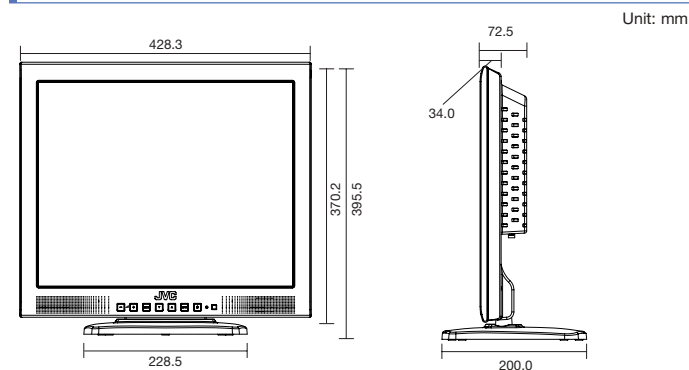
Type		LCD video and PC display monitor
Color system		NTSC, PAL
LCD panel	Size	19-inch / 483 mm (W x H: 376.3 x 301.1 mm)
	Type	TFT active matrix
	Pixels	1280 x 1024
	Contrast ratio	1000:1
Viewing angle (typical)		Horizontal: 178°, Vertical: 178°
Power requirements		120-240V, 50/60Hz
Power consumption		45W
Input terminals	Component (Y/B-Y/R-Y)	1 line: RCA x 3
	Y/C Separated	1 line: mini-DIN 4-pin x 1
	Composite Video	1 line: RCA x 1
	PC (Analog RGB)	1 line: D-sub 15-pin x 1
Input signal	Video	NTSC, PAL
	PC	fh: 31.5 kHz – 64 kHz fv: 56 Hz – 70 Hz
	Supported range of resolutions	VGA, SVGA, XGA and SXGA
Audio input		L/R: RCA x2, 3.5 mm stereo jack x1
Audio Speaker		Built-in stereo speakers (2W + 2W)
Remote control		IR remote
Cabinet color and material		Front: Dark gray, ABS resin. Rear: Black, ABS resin.
VESA mounting		100 mm pitch VESA standard mounting holes are located in both the monitor's rear panel and in the base of the tilting stand
Dimensions (W x H x D)	Without stand	428.3 x 370.2 x 72.5 mm
	With stand	428.3 x 395.5 x 200.0 mm
Weight	Without stand	6.5 kg
	With stand	7.3 kg

Accessories Provided

- Power cable
- VGA cable
- Adjustable tilting desktop stand (Forwards: 5° / Back Wards: 20°)
- Remote control handset with battery
- BNC – RCA adaptor (x 1)



Dimensions



Design and specifications subject to change without notice

JVC®

DISTRIBUTED BY

Printed in Japan
ICN-0331

JVC is the trademark or registered trademark of Victor Company of Japan, Limited.