



## BROADBAND CAPABLE: ONE NETWORK CAMERA FOR 24-HOUR SURVEILLANCE

New from Panasonic, the WV-NP472 directly connects to either digital or analogue devices. Simply set an IP address and connect it to an **Ethernet terminal** for monitoring and control from a personal computer.

Or use the analogue video out to connect to conventional monitoring systems using coaxial cable.



The WV-NP472 camera utilizes Panasonic's **Super Dynamic II** function to capture natural images at entryways, near windows, and in other locations with harsh contrasts between light and dark. It automatically stores images in repose to inputs from motion detectors and external sensor alarms and can send images automatically as e-mail attachments. In addition, this colour camera can also control external devices, turning on lighting or starting a surveillance recorder working. It operates with only 0.8 lx of available light in colour mode and a mere 0.1 lx in black and white. Its **Day/Night switching** function automatically switches to black-and-white recording when available light is low. Thus, this single security camera can deliver 24-hour surveillance.

The WV-NP472 is designed for monitoring over a WAN or over the Internet a snap. Its sophisticated surveillance functions make this the network security camera of choice for a wide range of settings, including banks, office buildings, and franchise outlets.

### KEY FEATURES

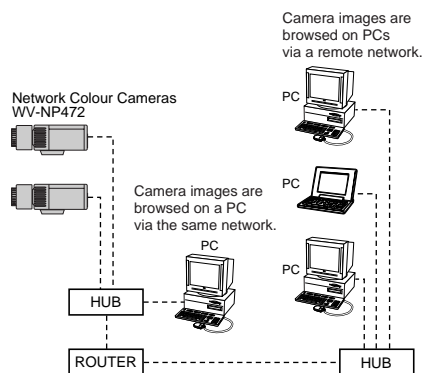
- 1/3-type double speed CCD colour image sensor.
- Built-in network interface (10Base-T/100Base-TX) for remote monitoring by PC.
- Interface protocol ; TCP/IP, HTTP, FTP, SMTP, DNS and DHCP.
- Switches from selected colour mode to B/W mode automatically or manually, for 24-hour monitoring.
- Built-in **Super Dynamic II** function has 80 times wider dynamic range when compared to a conventional camera.
- Super sensitivity of 0.8lx in colour mode, and 0.1lx in B/W mode at F1.4.
- 480-line in colour mode, and 570-line in B/W mode horizontal resolution.
- Built-in Alarm function for external security devices, and FTP alarm activation.
- Built-in digital motion detector.
- Built-in 16 alphanumeric character display.
- Electronic sensitivity enhancement (Auto; up to 10x, Manual; up to 32x, and Off)
- Digital signal processing LSI's for high quality pictures.
  - 2H vertical enhancement for greater picture sharpness.
  - Chroma averaging circuit for better colour signal-to-noise ratio.
  - Minimum of aliasing on fine objects.
  - Expanded dynamic range by knee circuit.
  - Highlight aperture correction for greater picture details of bright objects.
- VD2 sync capability with Panasonic system products.
- DC 12V power supply for easy installation.

### WIDE VARIETY OF OPTIONAL LENSES

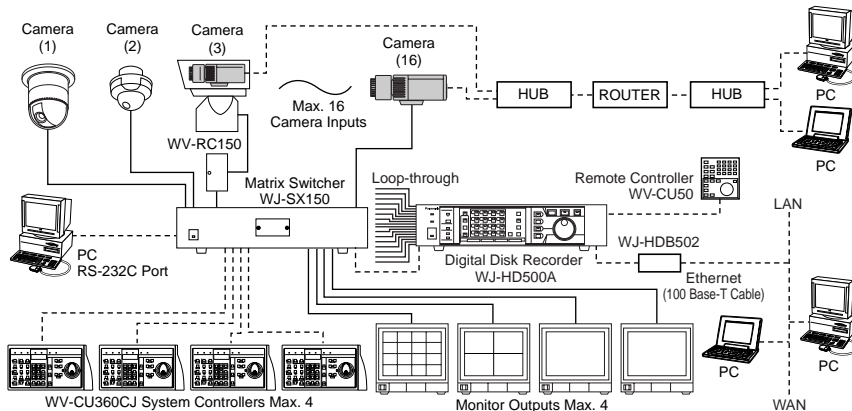
Auto Iris Lenses	High-Speed Lenses	Zoom Lenses	Vari-focal Lenses
WV-LA2R8C3B WV-LA4R5C3B WV-LA9C3B	WV-LA210C3 WV-LA408C3 WV-LA908C3	WV-LZ61/10 (x10) WV-LZ61/15 (x15)	WV-LZA61/2 WV-LZF61/2 WV-LZ62/8

# SYSTEM EXAMPLES

## 1 Monitoring System utilizing an Intranet



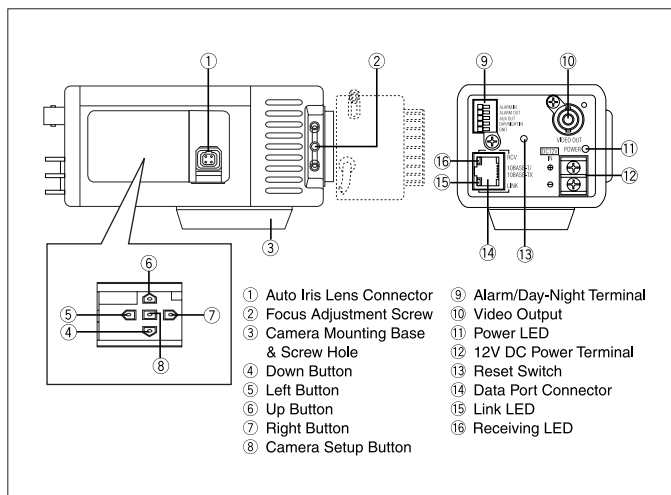
## 2 Monitoring with Panasonic Matrix Systems



### SPECIFICATIONS PAL CCIR

Camera Function	
Pick-up Device	1/3-type interline transfer CCD image sensor
Effective Pixels	753 (H) x 582 (V) pixels
Synchronization	Internal or Multiplexed Vertical Drive (VD2) sync
H. Resolution	570-line at B/W mode, 480-line at colour mode
Min. Illumination	0.1lx at B/W mode, 0.8lx at colour mode at F1.4.
S/N Ratio	50dB (at AGC off)
D. Range	46dB (typical)
Lens Mount	CS-Mount
Super Dynamic II	On/Off Selectable
Electronic Sensitivity Up	Fix: 32x (max.), Auto: 10x (max.)
Motion Detector	On/Off Selectable
Colour/B/W Select	On/Off/Auto Selectable
Network Function	
Image Compression Type	JPEG
Image Size	JPEG: 752 x 568, 752 x 284, 376 x 284 and 188 x 142 (selectable)
Protocol	TCP/IP, HTTP, FTP, SMTP, DNS and DHCP
Alarm Activation	Alarm input, Motion detector
Alarm Notice	Alarm output / Mail by E-mail
Alarm Log	Maximum 100
Alarm Recording	Multi-shot
Interface	10Base-T/100Base-TX (RJ-45 x 1)
General	
Video Output	VBS1.0V[p-p]/75Ω, PAL Composite signal
Parallel Port	Alarm input x 1, Alarm output x 1, Aux output x 1, BW/colour select
Power Supply	DC12V
Power Consumption	700mA
Ambient Operating Temperature	-10°C ~ +50°C
Dimensions	67 (W) x 65 (H) x 118 (D) mm
Weight (approx.)	510g

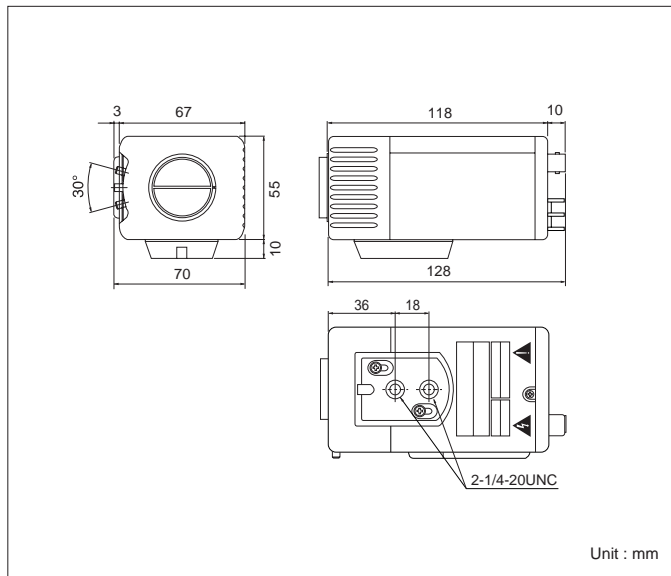
### MAJOR OPERATING CONTROLS



### OPTIONAL COMPONENTS

DIGITAL DISK RECORDERS	MATRIX SYSTEMS
<b>WJ-HD500A</b> (with 16ch Multiplexer) <b>WJ-HD200</b> (with 8ch Multiplexer) <b>WJ-HD100</b>	<b>SYSTEM850</b> <b>SYSTEM500</b> <b>SYSTEM150</b>
<b>DIGITAL MULTIPLEXERS</b> <b>WJ-FS616C</b> (16ch) <b>WJ-FS416</b> (16ch) <b>WJ-FS409</b> (9ch)	<b>COLOUR MONITORS</b> <b>WV-CM2080</b> 55cm CRT <b>WV-CM1780</b> 45cm CRT <b>WV-CM1480</b> 40cm CRT <b>WV-CM1420</b> 37cm CRT <b>WV-CM1020</b> 25cm CRT

### APPEARANCE



• Weights and dimensions are approximate. • Specifications are subject to change without notice. • These products may be subject to export control regulations.

DISTRIBUTED BY: