

**Panasonic**  
ideas for life

**AW-E750**  
2/3" 3CCD Convertible Camera

**AW-E655**  
1/2" 3CCD Convertible Camera

**High Sensitivity, High Performance 3CCD  
Convertible Color Camera**



AW-E750

Low light performance

0.00005 lx



AW-E655

# Super high sensitivity and excellent

Panasonic's high-quality 3-CCD convertible cameras offer excellent system expandability for various camera shootings.

- Panasonic's exclusive clean 3D-DNR (Digital Noise Reduction) technology produces super crisp images.
- Newly developed 12 bit A/D DSP creates excellent image quality.
- 12 vector color matrix masking for fine color adjustment
- Chroma detail and dark detail correction
- Feature cards make the camera compatible for a wide range of use.  
Two feature cards can be installed in the camera by using the optional additional card adaptor (AW-EX100).
- Excellent performance: Horizontal resolution: 850 lines  
Signal to noise ratio: 67dB (DNR on) NTSC, 65 dB (DNR on) PAL  
Minimum illumination: 0.005 lx, 0.00005 lx  
(2 seconds CCD charge accumulation)



## AW-E750

- **2/3" 3-CCD high image quality**
- **Wide dynamic range: 600%**
- **Compact size, light weight and low power consumption**  
Size: 3-5/16" X 3-3/4" X 7-9/16"  
(84W X 95H X 192D mm)  
Weight: 2.4 lbs (1.1kg) Power: 12V DC, 12.6W



## AW-E655

- **1/2" 3-CCD high sensitivity**
- **Motor-driven optical filter (3200°K, 1/16ND, 1/64ND, IR through)**  
The AW-E655's optical filter rotates for facilitating its use as an infrared camera capable of completely dark scenes from a distance.  
Size: 3-5/16" X 4-1/2" X 7-3/16"  
(84W X 114H X 182D mm)  
Weight: 2.6 lbs (1.2kg) Power: 12V DC, 12W

## Feature Cards



**Studio camera system card**  
• Output: Y/C, VBS  
• 5-inch EVF (Zebra, safety zone, and center marker included), and intercom input and output, and tally output compatible



**Connecting card for Contact-type pan-tilt head**  
• When WV-CB550 is used, panning, tilting, zooming, and focusing are possible. With a fixed-type camera, zooming and focusing are possible.



**Digital connecting card for video equipment with SDI input jack**  
• Output: Serial digital interface (SMPTE259M [4:2:2 SDI])  
• Zoom/focus of MD lens can be controlled by the controller WV-CB550.



**Studio and SDI Cards integrated into one.**  
• SDI Output: SMPTE259M compatible  
• Viewfinder connector mounted  
• Intercom jack and intercom audio volume mounted on the EVF interface bracket  
• EVF interface bracket included

**Note:**  
\*Option cards AW-PB304/306/307/309/310 can not be used for AW-E655/750.  
\*Option cards AW-PB301/302/303 are not required for AW-E655/750 because functions of these cards are included in AW-E655/750.

## Additional Card Adaptor



**AW-EX100**  
• Maximum two feature cards can be inserted in the camera by using optional feature card box AW-EX100 with AW-E750 and AW-E655.

# picture quality 3-CCD camera

## PERIPHERALS

### Camera Remote Controllers



**Remote Control Unit**  
**WV-RC700A**

- Component, Y/C and composite
- Multi-core/Single co-axial (w/AW-ML600)
- Max.300m to camera w/viewfinder



**Remote Control Unit**  
**WV-RC550**

- Y/C and composite
- Multi-core
- Max.100m to camera w/viewfinder



**Remote Control Box**  
**WV-CB700A**

- Composite
- 10P control cable
- Max. 10m



**Remote Control Box**  
**WV-CB550**

- Composite
- Camera, pan-tilt control
- Max. 300m (Belden8281)



**Multiplex Adaptor**  
**AW-ML600**

- Composite
- Single co-axial cable
- Max.300m (Belden8281)

### AC Adaptors

**AW-PS301**  
Power:AC120V(NTSC), 220-240V(PAL)  
Approx. 34-44VA  
For AW-RP301/305/501/505 and others

**AW-PS505**  
Power:AC120V(NTSC),220-240V(PAL)  
Approx. 77VA  
For AW-E750/655 and others

**AW-PS300/AW-PS600**  
For AW-PH300A, PH350/AW-PH600




### Pan-tilt heads/Controllers



**Indoor Pan-tilt Head**  
**AW-PH350**

- 50 preset memories
- Composite/Component/SDI



**Multi-function Controller**  
**AW-RP605**

- Full camera control



**Indoor Pan-tilt Head**  
**AW-PH300A**

- 50 preset memories
- Composite



**Outdoor Pan-tilt Head/Housing**  
**AW-PH600**  
**AW-CH600**

- 50 preset memories
- Composite/Component/SDI



**Indoor Pan-tilt Head**  
**AW-PH500**

- Max. load: 15kg



**Control Panels**  
**AW-RP501**  
**AW-RP505**  
**AW-RP301**  
**AW-RP305**

- One camera/pan-tilt
- Five camera/pan-tilts
- One pan-tilt
- Five pan-tilt heads



**Multi-port hub unit**  
**AW-HB505**

- Max. 5 pan-tilt systems




**Dial Up Adaptor**  
**AW-DU600**

- Modem required
- Directly controllable pan-tilt/lens
- Up to 5 cameras

### Live Switcher

**AW-SW350**


- 5 inputs w/5 frame synchronizers
- 9 types of wipe/3 types of soft edge
- Luminance key
- Still video capture



### Signal Converter

**AW-EX500**

- 1 analog input (composite, Y/C component) and SDI
- R/G/B, SDI, SVGA, WEB, DV-DCPRO output by option card
- An additional card adaptor attachable
- Output: video (composite, component, RGB, Y/C-D-sub connector)



### Lenses



<For AW-E655>  
16XMD Lens **AW-LZ16MD73**  
16XStudio Lens **AW-LZ16ST73**



<For AW-E750>  
17XMD Lens **AW-LZ17MD9**  
17XStudio Lens **AW-LZ17ST9**

### Controllers

MD Lens  
**AW-LK30**  
1/2" Studio Lens  
**AW-LK50**  
2/3" Studio Lens  
**WV-LK36**



### Viewfinder

5" B/W viewfinder  
**WV-VF65B**

Viewfinder mounting bracket  
**AW-Q40**



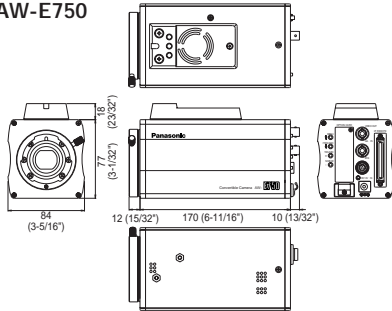
### Cable list

Name	Number	Connection apparatus		Length	Note
Coaxial cable with special connector	AW-CA1T1	AW-PH600		1m	For SDI connection
DC power cable	AW-CA4T1	AW-PS505	AW-E750 etc. AW-SW350	3m	
Power cable	AW-CA8U30	AW-PS600	AW-PH600	30m	
Camera control cable for video signal	AW-CA16U10 / 20 / 30	AW-PH600	VTR, AW-RP501, AW-HB505 etc.	10m, 20m, 30m	VBS output, Component output, Camera Control
Pan-tilt control cable	AW-CA24U10 / 20 / 30	AW-PH600	AW-RP501, AW-CA26U15 etc.	10m, 20m, 30m	
Cable joint adaptor	WV-CA26T26	AW-E750 / E655	AW-CA26U15 etc.		Connects AW-CA50A26 to longer lengths
Studio cable (26P-26P)	WV-CA26U15 / 30 / 100	AW-E750 / E655	WV-RC550, WV-RC700A	15m, 30m, 100m	
RCB cable	AW-CA50T10	AW-E750 / E655	WV-CB700A	5m	Camera - RCB
For RCB cable extension	AW-CA50B10	AW-E750 / E655	AW-CA10B02 etc.	5m	Camera - RCB extension cable
RCB extension cable	WV-CA10B02 / 25 / 50	AW-CA50B10	WV-CB700A	2m, 25m, 50m	10P-10P
Lens extension cable	AW-CA12T12A		AW-E750 etc.	0.15m	12P-12P
RCU cable	AW-CA50A26	AW-E750 / E655	WV-RC550 etc.	15m	
RGB cable	AW-CA50T6	AW-E750 / E655	Monitor, VTR etc.	5m	BNC x 5 + S terminal
For RGB extension cable	WV-CA9T5 / 9	AW-EX500	Monitor etc.	5m	D-sub 9pin-BNC x 5 / D-Sub 9pin - D-sub 9pin
Contact type Pan-tilt head cable	AW-CA12T11	AW-PB308	WV-RC100	25m	
For WV-CB550 cable	AW-CA50TBNC	AW-E750 / E655	WV-CB550	2m	BNC coaxial cable is required.
Pan-tilt cable (for pan-tilt control panel)	AW-CA50T15, AW-CA50A15	AW-E750 / E655	AW-PH300A, AW-PH600	0.4m	Control panel, Composite signal / RS-232C (PC), Composite signal
	AW-CA50C15, AW-CA50D15		AW-PH600		Control panel, Component signal / RS-232C (PC), Composite signal
Pan-tilt cable	AW-CA50T29, AW-CA50C29	AW-E750 / E655	AW-PH350		Composite (T29) / Component (C29)
RS-232C pan-tilt cable	AW-CA28T9	AW-PH300A	PC	5m	Pan-tilt head is controlled by PC
RS-232C camera control cable	AW-CA50T9	AW-E750 / E655	PC	10m	Pan-tilt head is controlled by PC

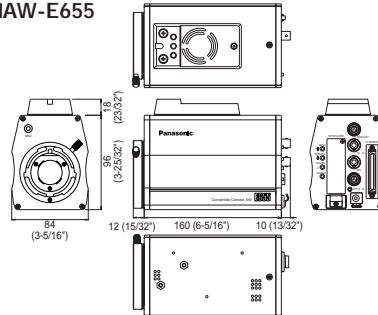
# RATINGS (NTSC [PAL])

		AW-E750	AW-E655
Image elements		2/3" IT type 3-CCD	1/2" IT type 3-CCD
Pixels	Total elements	Approx. 410,000 [470,000]	Approx. 410,000 [470,000]
	Effective elements	Approx. 380,000 [440,000]	Approx. 380,000 [440,000]
Imaging area		9.6HX5.4V (equivalent to 2/3")	6.4HX4.8V (equivalent to 1/2")
Scanning System		2:1 interlaced NTSC system [2:1 interlaced PAL system]	
Scanning Frequency		Horizontal=15.734kHz, Vertical=59.94Hz [Horizontal=15.625kHz, Vertical=50Hz]	
Lens mount		2/3" Bayonet Mount	1/2" Bayonet Mount
Optical Filter		None	1/16ND, 1/64ND, 3200° K, IR Through
Synchronize system		Internal/external synchronization	
Standard Illumination		2000 lx, F14	
Minimum Illumination		0.005 lx (F1.4) 0.00005 lx (F1.4) (2 sec. CCD accumulation)	
Signal-to-noise Ratio		67 dB (DNR on) [65 dB (DNR on)]	
Horizontal Resolution		850 lines	
Registration		0.05%	
Image Enhancer		Horizontal/vertical	
White Balance		A/B 2 memory AWC, ATW	
Black Balance		Self-adjusting	
Color Bar		SMPTE color bar (setup 0/7.5IRE) [EBU colour bar]	
Shutter Speed		OFF, 1/100 [1/120], 1/250, 1/500, 1/1000, 1/2000, 1/4000, 1/10000 Synchro-scan ELC	
Gain		Manual: max. 72dB (0 to 30 dB in steps, Night Eye/H, Digital Gain 0 to 30 dB in 6 dB steps) Auto: max. 42dB (AGC 0 to 30 dB, Night Eye/H)	
Iris		Auto (Manual by RCU control)	
Video Output		Composite: 1 Vp-p/75 ohm (BNC, 50P connector) YC:Y 1Vp-p, C 0.286Vp-p [0.3Vp-p] (50P connector) Component: Y 1.0Vp-p, Pr/Pb 0.7Vp-p, RGB 0.7Vp-p/75 ohm (50P connector)	
Power		DC 12V	
Power Consumption		Approx. 12.6W	Approx. 12W
Operating Temperature		14 °F ~ 113°F (-10 °C ~ +45 °C)	
Weight		Approx. 2.4 lbs (1.1kg)	Approx. 2.6 lbs (1.2kg)
Dimensions		3-5/16" X 3-3/4" X 7-9/16" (84W X 95H X 192D mm)	3-5/16" X 4-1/2" X 7-3/16" (84W X 114H X 182D mm)

■AW-E750



■AW-E655



Unit: mm / inch

Specifications are subject to change without notice.

## Panasonic

Matsushita Electric Industrial Co., Ltd.  
Systems Business Group  
2-15 Matsuba-cho, Kadoma, Osaka 571-8503  
Japan  
Phone +81 6 6905 4650 Fax +81 6 6908 5969  
www.panasonic.co.jp/bsd

### [Countries and Regions]

Argentina +54 1 308 1610  
Australia +61 2 9887 6222  
Austria +43 (0)1 610 80 773  
Bahrain +973 252292  
Belgium +32 (0)2 481 04 57  
Bulgaria +359 2 946 0786  
Brazil +55 11 3889 4035  
Canada +1 905 624 5010  
China +86 10 6515 8828  
(Hong Kong +852 2313 0888)  
Czech Republic +420 236 032 552/511  
Denmark +45 43 20 08 57  
Egypt +20 2 3938151  
Finland, Latvia, Lithuania, Estonia\* +358 (9)521 52 53  
France +33 (0)1 49 46 43 59  
Germany +49 (0)611 235 401  
Greece +30 210 96 92 300  
Hungary +36 (1)382 60 60  
Indonesia +62 21 801 5666  
+62 21 385 9449  
Iran +98 21 2271463  
Italy +39 02 67 88 449  
Jordan +961 6 586 1914  
Kazakhstan +7 3272 504 777

Korea +82 2 6670 5160  
Kuwait +965 481 2123  
Lebanon +961 1 216827  
Malaysia +60 3 5549 5422  
Mexico +52 5 488 1000  
Montenegro, Serbia +41 (0)26 466 25 20  
Netherlands +31 73 64 02 577  
New Zealand +64 9 272 0100  
Norway +47 67 91 78 00  
Pakistan +92 5370320 21  
Panama +507 229 2955  
Peru +51 145 29470  
Philippines +63 2 633 6162  
Poland +48 (22)338 1100  
Portugal +351 21 425 77 04  
Puerto Rico +1 787 750 4300  
Romania\* +40 21 211 4855  
Russia & CIS +7 095 258 42 06  
Saudi Arabia +966 1 465 0709  
Singapore +65 6270 0110  
Slovak Republic +421 (0)2 52 92 14 23  
Slovenia, Croatia, Bosnia, Macedonia\* +44 (0)20 76 63 36 57  
South Africa +27 11 313 1400

Spain +34 (93) 425 93 00  
Sweden +46 (8) 680 26 41  
Switzerland +41 (0)41 259 96 32  
Taiwan +886 2 2725 9100  
Thailand +66 2 731 8888  
Turkey +90 216 578 3700  
U.A.E. +971 4 282201  
Ukraine +380 44 4903437  
+380 44 4903438  
[ext. 112]  
U.K +44 (0) 1344 70 69 20  
U.S.A. +1 201 348 5300  
+1 800 528 8601

