

*Amazing stuff!
I'm sold!*

Brightness
2000lm

Contrast
2000:1



XGA
MOBILE PROJECTOR
XD205U



SVGA
MOBILE PROJECTOR
SD205U



Changes for the Better

stuff!
sold!

Contrast
2000:1



XD205U
MOBILE XGA PROJECTOR

SD205U
MOBILE SVGA PROJECTOR



XD205U
MOBILE XGA PROJECTOR



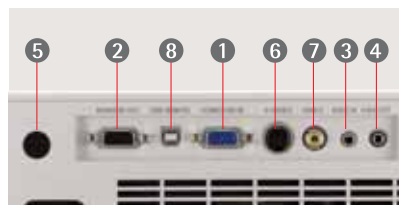
SD205U
MOBILE SVGA PROJECTOR

Specifications

Model	XD205U	SD205U
Display Technology	0.55" 1 — Chip DMD, 12deg. DDR, DDP2000	
Resolution	1024 ~ 768 (Total 786,432 pixels), 550 Video lines	800 ~ 600 (Total 480,000 pixels), 500 Video lines
Brightness	2000lm (Lamp Low Mode 1550lm)	
Contrast Ratio	2000 : 1	
Picture Size	40" — 300" (100"=3.2m)	
Source Lamp	205W (Shut Off Time 2000hrs) 164W (Shut Off Time 3000hrs) with Low Mode	
PC Compatibility	VGA — XGA(640 ~ 480 — 1280 ~ 1024), True : 1024 ~ 768 Sync on Green available	VGA — XGA(640 ~ 480 — 1024 ~ 768), True : 800 ~ 600 Sync on Green available
Video Compatibility	NTSC / NTSC 4.43 / PAL (including PAL - M , N) / SECAM / PAL - 60 Component Video ; 480i/p (525i/p), 576i/p (625i/p), 720p (750p), 1080i (1125i 60Hz), 1080i (1125i 50Hz), [(1080i (1250i 50Hz) is not available)]	
PC Input Terminals	RGB ; mini D-sub 15pin ~ 1 Audio ; Stereo mini jack (φ3.5mm) ~ 1	
Video Input Terminals	RCA ~ 1 + S - VIDEO ~ 1	
Output Terminals	RGB ; mini D - sub 15pin ~ 1 Audio ; Stereo mini jack (φ3.5mm) ~ 1	
Communication Terminal	USB terminal for Page Up / Down	
Audio Speaker	2W Mono	
Dimension (W ~ H ~ D)	261 ~ 87 ~ 218 mm	
Weight	2.4kg / 5.3lbs	
Power requirements	AC 100 — 240V, 50 / 60Hz	
Fan Noise	30dBA (Lamp Low Mode)	
Optional Accessories	Option Lamp (VLT-XD205LP)	

Input and Output Terminals

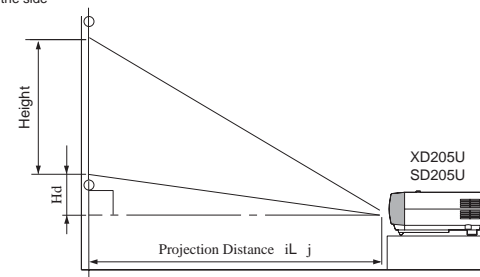
XD205U / SD205U



- ① RGB In × 1
- ② RGB Out × 1
- ③ Audio In
- ④ Audio Out
- ⑤ Remote IR
- ⑥ S-Video
- ⑦ Composite Video
- ⑧ USB

Screen size and Projection distance

As seen from the side



Screen size chart i4:3 aspect ratio j

Screen		Distance from screen (L)				Height projected image (Hd)					
Diagonal size	Width (W)	Height (H)		Max. Zoom	Min. Zoom	Height projected image (Hd)					
inch	cm	inch	cm	inch	m	inch	cm				
40	102	32	81	24	61	50	1.3	60	1.5	3.5	8.8
60	152	48	122	36	91	76	1.9	91	2.3	5.2	13.3
80	203	64	163	48	122	101	2.6	121	3.1	7.0	17.7
100	254	80	203	60	152	126	3.2	151	3.8	8.7	22.1
150	381	120	305	90	229	189	4.8	227	5.8	13.1	33.2
200	508	160	406	120	305	252	6.4	302	7.7	17.4	44.2
250	635	200	508	150	381	315	8.0	378	9.6	21.8	55.3
300	762	240	610	180	457	378	9.6	[[26.1	66.3

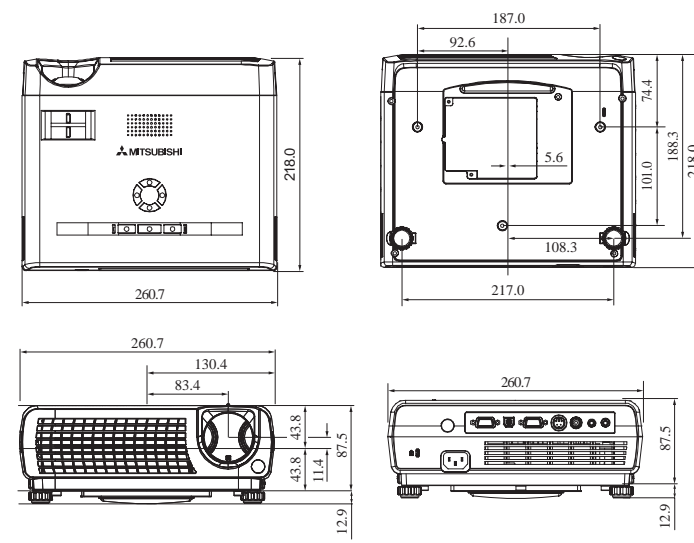
The above numbers are approximate, and may be slightly different from the actual measurements.

Screen size chart i16:9 aspect ratio j

Screen		Distance from screen (L)				Height projected image (Hd)					
Diagonal size	Width (W)	Height (H)		Max. Zoom	Min. Zoom	Height projected image (Hd)					
inch	cm	inch	cm	inch	m	inch	cm				
40	102	34.9	89	19.6	50	55	1.4	66	1.7	6.7	17.1
60	152	52.3	133	29.4	75	82	2.1	99	2.5	10.1	25.7
80	203	69.7	177	39.2	100	110	2.8	132	3.3	13.5	34.3
100	254	87.2	221	49.0	125	137	3.5	165	4.2	16.9	42.9
150	381	130.7	332	73.5	187	206	5.2	247	6.3	25.3	64.3
200	508	174.3	443	98.1	249	275	7.0	329	8.4	33.7	85.7
250	635	217.9	553	122.6	311	343	8.7	412	10.5	42.2	107.1
300	762	261.5	664	147.1	374	412	10.5	[[50.6	128.6

The above numbers are approximate, and may be slightly different from the actual measurements.

Dimensions



Unit:mm

MITSUBISHI ELECTRIC CORPORATION
HEAD OFFICE: TOKYO BLDG., 2-7-3, MARUNOUCHI, CHIYODA-KU, TOKYO 100-8310, JAPAN

To find out more about XD205U/SD205U and our projectors, visit us at

Global.MitsubishiElectric.com/projectors/